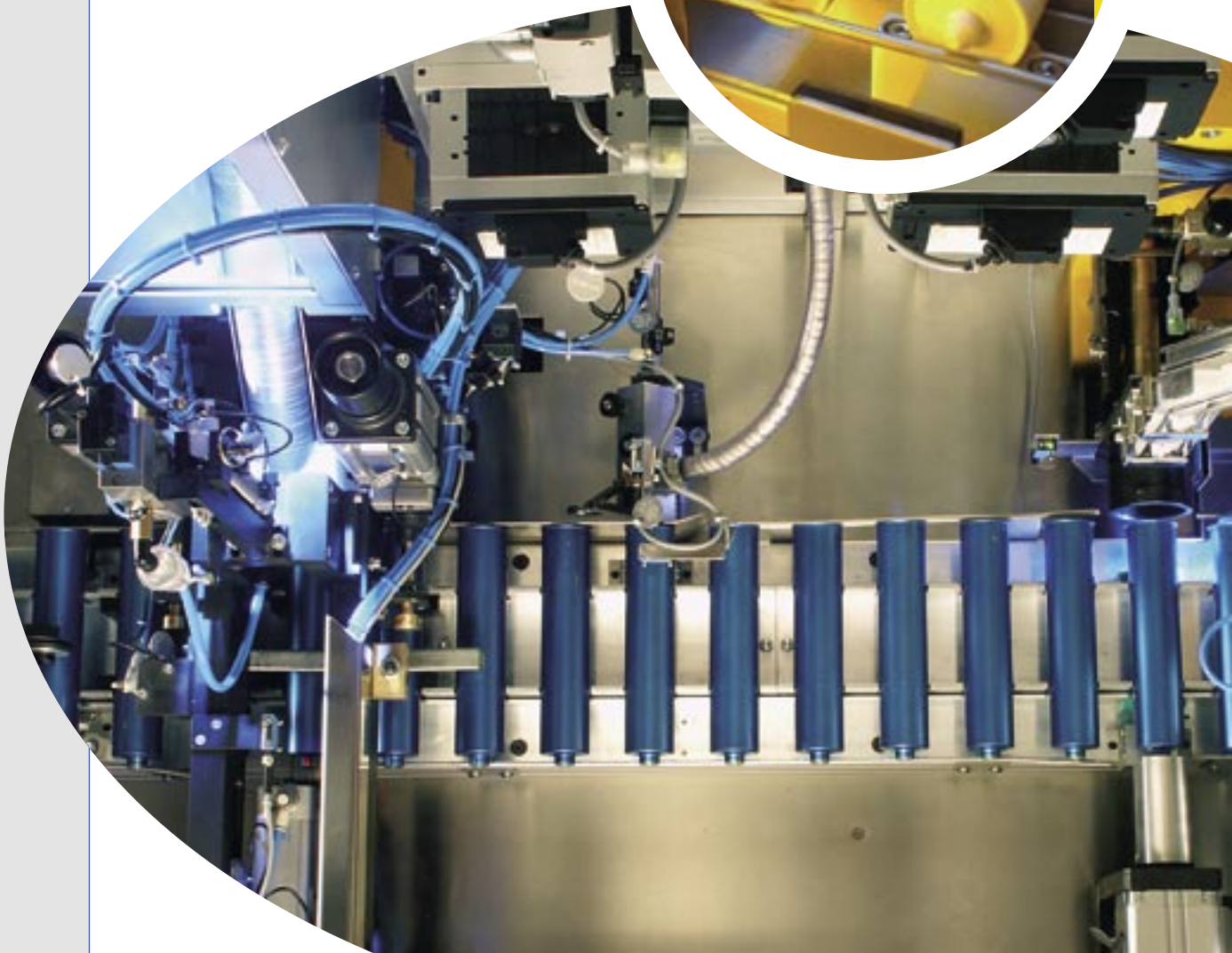


## Cartridge Filling Machine

# S 8-A / S 8-2A

- For plastic, fibre and aluminium cartridges
- Quick exchangeable product contacted parts
- Flexible upgradeability
- Dosing range up to 400 ml
- High dosing accuracy
- High output  
(30-35 and 65-70 cart./min. resp.)



## S 8-A / S 8-2A Cartridge Filling Machine



### Cartridge Filling Machine S 8-A

**The technique:** Plastic and fibre cartridges of different sizes (with or without nozzles) can be filled fully automatic with the **S 8-A**. With the pneumatic dosing, a filling speed of up to 38cart./min. (depending on material) can be achieved. This machine is, of course, also equipped with the long-reliable **Schwerdtel** components:

- Air-free filling of the cartridges
- Turn-off device at the end of the dosing
- Air-free plungering either by venting wires or plunger housing

The optimised construction makes it possible to change a set of product contacted parts within less than ten minutes. Exemplary safety devices (according to CE) guarantee optimum protection for people and machine.

#### Your advantages are obvious:

- High performance at low investment costs
- High dosing accuracy
- Quick exchange of product contacted parts
- Therefore, high availability of the machine
- Reliable **Schwerdtel** service, especially by quickest supply with spare parts

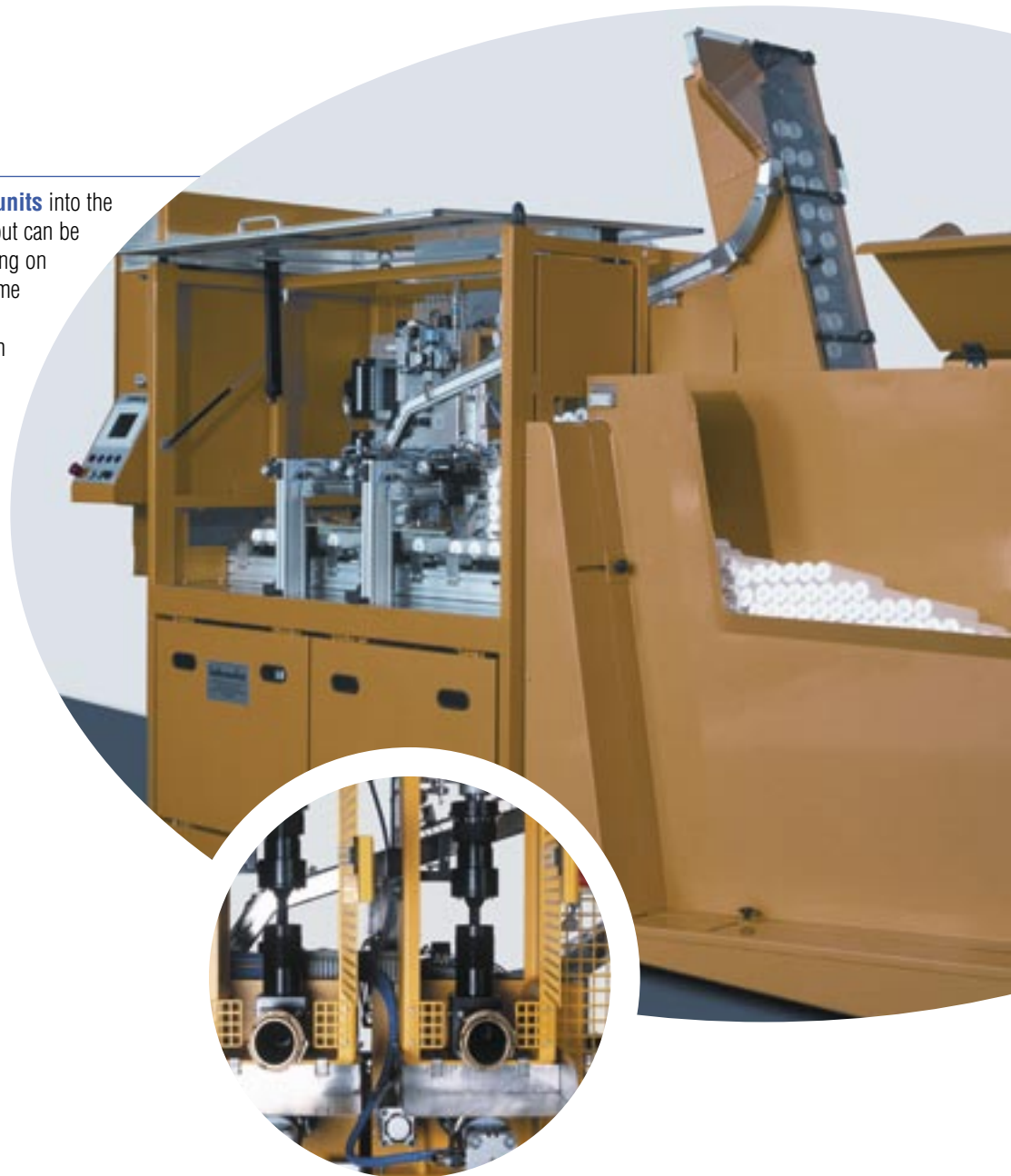


## Double-head Dosing Machine S 8-2A

By the integration of two dosing units into the machine frame of the **S 8-2A**, the output can be increased to 65-70 cart./min. (depending on material). The machine design is extreme compact, as the switch cabinet is still fixed to the machine frame even though the machine is equipped with twice the number of working stations.

### For Schwerdtel, the benefit of the customer comes first:

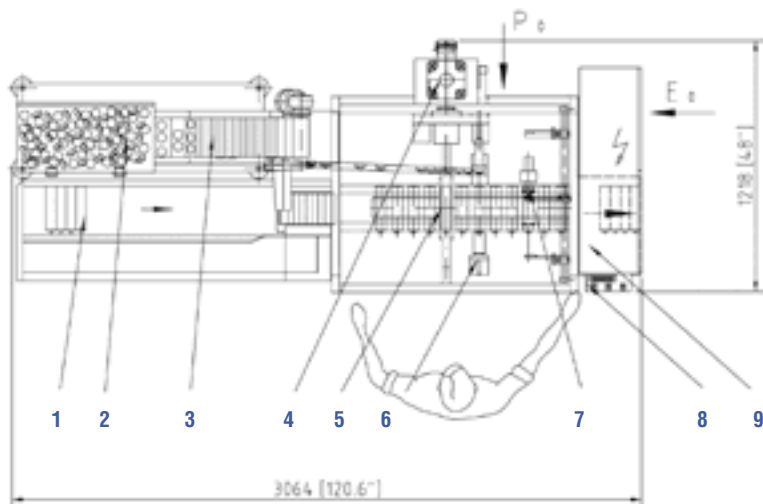
- High availability of the machine
- „First Aid“ through our Service-Hotline: **+49 8131 9006-49**
- Excellent spare parts supply: Everything ordered until noon, will be delivered the same day
- Highest quality
- Tailor-made solutions (please confer also below)



## S 8-A The „Perfect Couple“

**Schwerdtel flexibility for your own good:** By a mirrored design of the second **S 8-A** and a face-to-face installation, you achieve the double output with only one operator.

**Additional advantages of this version:** Two different products can be filled at the same time. The perfect combination of flexibility and cost saving!



- |                      |                             |                   |
|----------------------|-----------------------------|-------------------|
| 1 Cartridge Magazine | 4 Dosing Unit               | 7 Turning Station |
| 2 Plunger Hopper     | 5 Filling Station           | 8 Operator Panel  |
| 3 Plunger Elevator   | 6 Plunger Inserting Station | 9 Switch Cabinet  |

## Following possible versions:

- ✓ **S 8-A/12 (for plastic and fibre cartridges)**
- ✓ **S 8-A/12 mirror image (working direction right-left)**
- ✓ **S 8-A/20 (for aluminium cartridges incl. seaming)**
- ✓ **S 8-2A (double-head machine for plastic and fibre cartridges)**
- ✓ **S 8-A/12 version for 400 ml grease cartridges**

## Technical Data

	<b>S 8-A</b>	<b>S 8-2A</b>
<b>Machine Type</b>		
Measurements (L x W x H)	approx. 3050 x 1090 x 2210mm	approx. 4680 x 1090 x 2210mm
Weight	approx. 1000 kg	approx. 1650kg
Output	30-35 cart./min. (dep. on product)	65-70 cart./min. (dep. on product)
Drive of dosing unit	pneumatic	pneumatic
Dosing range	290-320 ml, optional 400 ml	290-320 ml, optional 400 ml
Connection height	1235 mm	1235 mm
product inlet of dosing unit		
Cartridge discharge height	970±50 mm	970±50 mm
<b>Electrical Data</b>		
Main voltage	400V, 50Hz or according to local requirements	400V, 50Hz or according to local requirements
Power input	approx. 3 kW	approx. 3,5 kW
Control	Siemens S7 PLC	Siemens S7 PLC
Protection system	IP 44	IP 44
<b>Compressed air connection</b>		
Air pressure	min. 5,0bar	min. 5,0bar
Air consumption	approx. 90-120Nm³/h with pneum. dosing drive	approx. 150-200Nm³/h with pneum. dosing drive